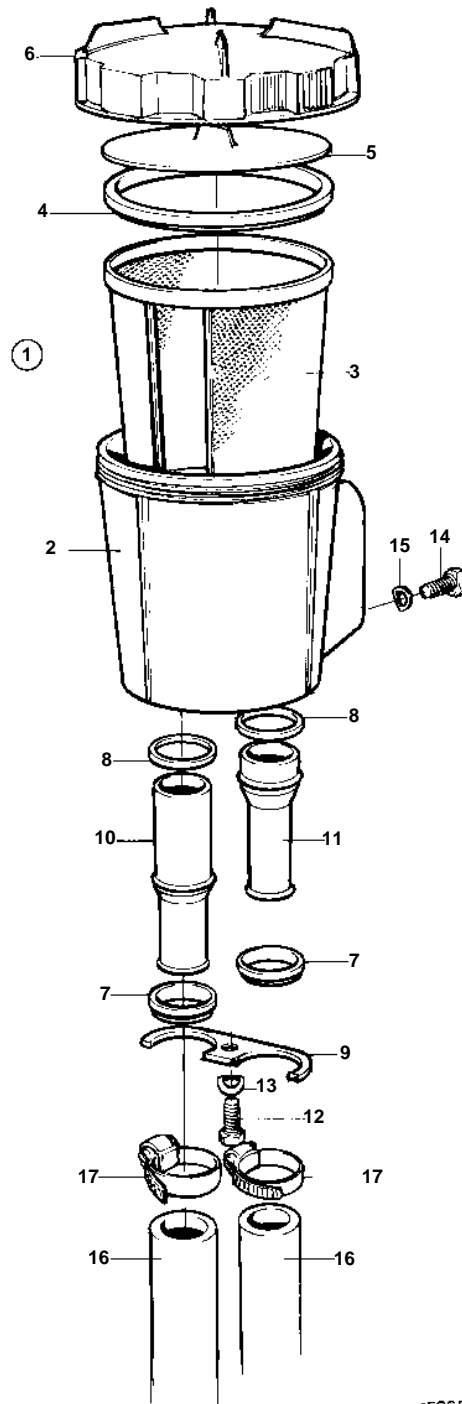


MD2010B, MD2020B, MD2030B, MD2040B



MD2010B, MD2020B, MD2030B, MD2040B

REF	PART NO.	QTY	DESCRIPTION	NOTES
1	861462	1	Sea water filter	
2	842924	1	· Strainer	
3	842723	1	· · Strainer	
4	842724	1	· · Seal	
5	842982	1	· · Pressure plate	
6	842722	1	· · Cover	
7	847108	2	· Retainer	
8	858986	2	· Sealing ring	
9	860832	1	· Retainer	
10	861370	1	· Tube	Inlet.
11	861371	1	· Tube	Outlet.
12	955270	1	· Screw	
13	941906	1	· Spring washer	
14	955296	4	· Screw	
15	941907	4	· Spring washer	
16	952970	X	Rubber hose	
17	961666	X	Hose clamp	